

PRODUCT TECHNICAL SHEET

Collection : **1935**

Ref. : **1935.--.12-XX**

Mélangeur cuisine 2 trous, douchette poignée poussoir, inverseur automatique et bec mobile 215mm

2-gats keukenmengkraan, handdouche met drukknop, automatische omschakelaar en draibare uitloop 215mm

2-hole kitchen mixer, handshower with pusher, automatic diverter and swivel spout 215mm

Picture



Product details

Weight : 3,4 kg

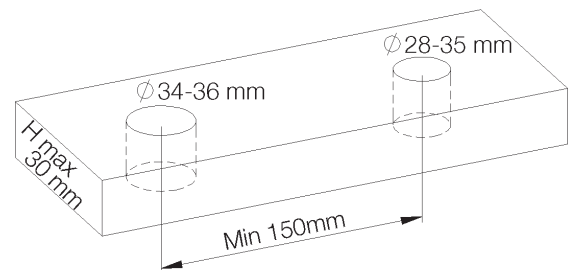
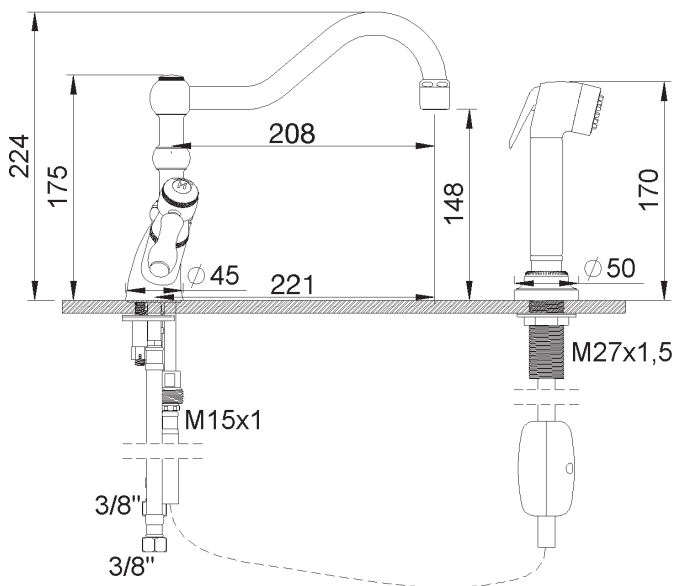
Flow at 3 bar : Restricted 9 l/min

Internal mechanism : Ceramic valve 1/4 turn

Diverter : Automatic pressure diverter

Note : Handshower hose 1,5m

Technical drawing



RB1.V01